

CATEGORY	DESCRIPTION	P/N #
CONNECTOR	RCA Jack, 1*3Ports, V/A, T/H, Without Shielding, Top Screw Holes*2	RJ065V-13080-XX00

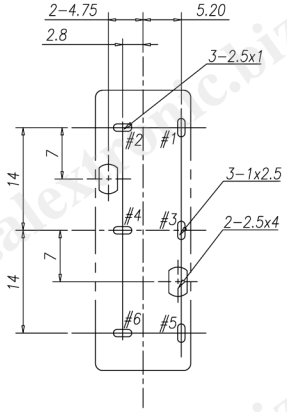
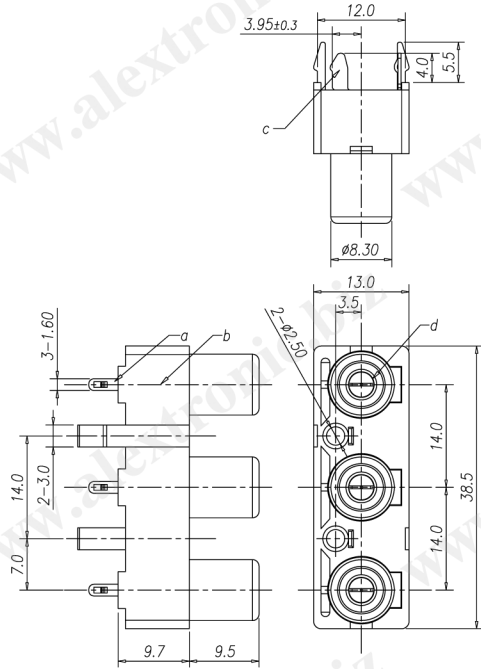
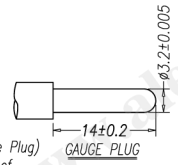
PART NO.:
RJ065V-13080-XX00

See Color Scheme

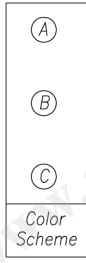
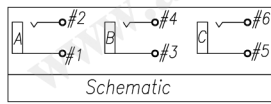
REV.	ECN NO	DESCRIPTION	REVISED	DATE
A01		New Release	Luguan	2009.07.23

SPECIFICATION

1. Voltage and Current Rating: 12V & 1A
2. Contact resistance: 30mΩ MAX.
3. Insulation resistance: 100MΩ MIN. @ DC500V
4. Withstand voltage: 500VAC for 1min
5. Insertion Force: 3KgF MAX.
6. Extraction Force: 0.3KgF MIN.
7. Withdraw Force for Center Contact: 0.08KgF MIN.
(Use a OD=3.2±0.005mm, Length=14±0.2mm Gauge Plug)
8. Terminal Strength: The terminal shall be capable of withstanding a force of 3KgF applied in any direction for 0.5 secs without losing and breakdown
9. Life test: 1,500 cycles
10. Temperature Range: -25°C~70°C
11. To conform with the "QC-03-045" & "RoHS DIRECTIVE"
12. Solder heat resistance: wave soldering 260°C 5 secs



Recommend PCB Layout
(Jack Top View)
Tolerance:±0.05mm
Recommend PCB Thickness: 1.6mm



Color Scheme

X	Housing	A	B	C
13	Black	Yellow	White	Red
14	Black	Green	Blue	Red
25	Black	White	Red	Black

Product Drawing
ALEXTRONIC

d	Washer	3	PBT UL94V-0	See Color Scheme	
c	Terminal#2,4,6	3	Brass, T=0.4mm	CuSn Plating	
b	Housing	1	PBT UL94V-0	See Color Scheme	
a	Terminal#1,3,5	3	Brass, T=0.4mm	CuSn Plating	
NO.	PART NAME	Q'TY	MATERIAL	PLATING & COLOR	Remark

UNLESS OTHERWISE SPECIFIED TOLERANCES	SCALE:2/1	UNIT: mm	DWG.NO:	
	SIZE: A3	PAGE:1 OF 1	REV:A01	
DECIMALS: X :±0.5 X.X :±0.3 X.XX :±0.2	ANGLES: X :±2° X.X :±1°	APPROVED BY	CHECKED BY	PREPARED BY
		WYX	Pengjie	Luguan
CUSTOMER COPY				